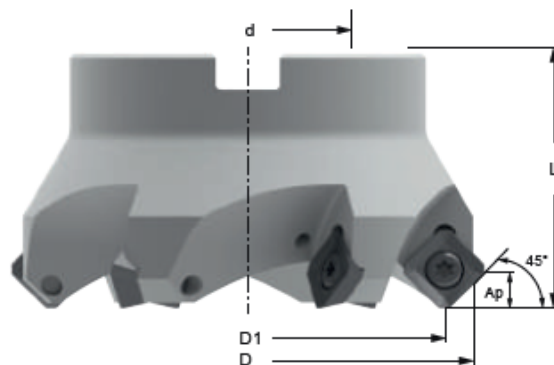


CUTTERS SEKT



SHELL MILL - SEKT 1204

DESIGNATION	D	D1	d	L	Ap	Z	α	CATALOG #
LT 600 M-W-D040/3	53	40	16	40	6	3	10	M2000546
LT 600 M-W-D050/4	63	50	22	48	6	4	8	M2000547
LT 600 M-W-D063/5	76	63	22	48	6	5	6	M2000548
LT 600 M-W-D080/6	93	80	27	50	6	6	4.5	M2000549
LT 600 M-W-D100/6	113	100	32	50	6	6	3.5	M2000550
LT 600 M-W-D125/7	138	125	40	63	6	7	3	M2000551
LT 600 M-D-D160/8	173	160	40	63	6	8	2.2	M2000552

SCREW M2000599
KEY M2000603

SHELL MILL - SEKT 12T3

DESIGNATION	D	D1	d	L	Ap	Z	α	CATALOG #
LT 610 M-W-D040/3	53	40	16	40	6	3	10	M2001431
LT 610 M-W-D050/4	63	50	22	48	6	4	8	M2001382
LT 610 M-W-D063/5	76	63	22	48	6	5	6	M2001383
LT 610 M-W-D080/6	93	80	27	50	6	6	4.5	M2001384
LT 610 M-W-D100/6	113	100	32	50	6	6	3.5	M2001432
LT 610 M-W-D125/7	138	125	40	63	6	7	3	M2001433
LT 610 M-D-D160/8	173	160	40	63	6	8	2.2	M2001434

SCREW M2001418
KEY M2000602